

Lavatory Ensemble Model K338B_014

FEATURES

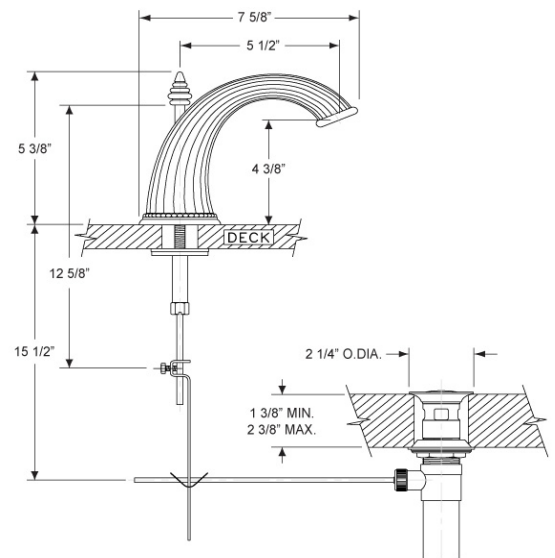
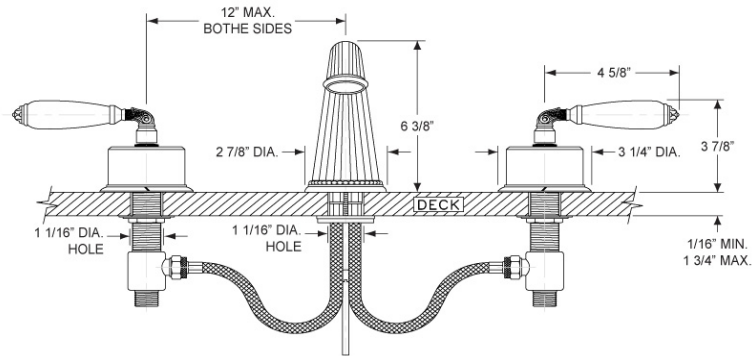
- Style: Baroque Treasures
- Collection: Valencia
- Temperature controlled by handles
- 1-1/16" (27mm) hole size for spout
- 1-1/16" (27mm) hole size for valves
- 12" (305mm) maximum centers
- Pop-up drain with lift rod and tailpiece
- 1.5 gpm @ 60 psi



COLOR FINISHES

- Polished Nickel (K338B_014)
- Satin Nickel (K338B_015)
- Pewter (K338B_15A)
- Polished Chrome (K338B_026)
- Polished Brass (K338B_003)
- Polished Brass Antiqued (K338B_007)
- Satin Brass (K338B_004)
- Polished Gold (K338B_025)
- Polished Gold Antiqued (K338B_25D)
- Satin Gold (K338B_024)
- Satin Gold Antiqued (K338B_24D)
- Satin Jeweler's Gold (K338B_24J)
- Old English Brass (K338B_OEB)
- Antique Brass (K338B_047)
- Antique Bronze (K338B_11B)

Image shown may not be in the finish selected



WARRANTY

- Limited Lifetime

COMPLIES WITH

- CA AB 1953-CERTIFIED
- ADA
- ANSI/NSF61-CERTIFIED
- A112.18.1-05/CSA B125.1-2005-CERTIFIED
- cUPC-CERTIFIED
- UPC-CERTIFIED
- EPA WaterSense-CERTIFIED
- VT S152



Lavatory Ensemble Model K338C_003

FEATURES

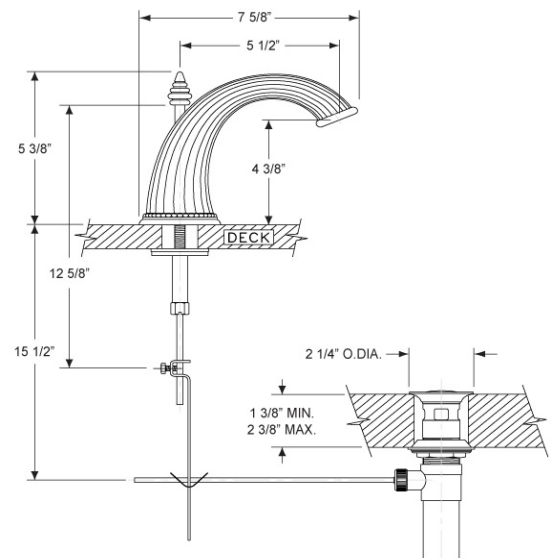
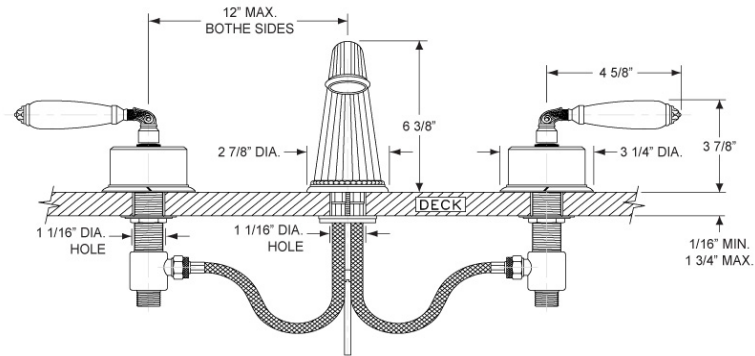
- Style: Baroque Treasures
- Collection: Valencia
- Temperature controlled by handles
- 1-1/16" (27mm) hole size for spout
- 1-1/16" (27mm) hole size for valves
- 12" (305mm) maximum centers
- Pop-up drain with lift rod and tailpiece
- 1.5 gpm @ 60 psi



COLOR FINISHES

- Polished Nickel (K338C_014)
- Satin Nickel (K338C_015)
- Pewter (K338C_15A)
- Polished Chrome (K338C_026)
- Polished Brass (K338C_003)
- Polished Brass Antiqued (K338C_007)
- Satin Brass (K338C_004)
- Polished Gold (K338C_025)
- Polished Gold Antiqued (K338C_25D)
- Satin Gold (K338C_024)
- Satin Gold Antiqued (K338C_24D)
- Satin Jeweler's Gold (K338C_24J)
- Old English Brass (K338C_OEB)
- Antique Brass (K338C_047)
- Antique Bronze (K338C_11B)

Image shown may not be in the finish selected



WARRANTY

- Limited Lifetime

COMPLIES WITH

- CA AB 1953-CERTIFIED
- ADA
- ANSI/NSF61-CERTIFIED
- A112.18.1-05/CSA B125.1-2005-CERTIFIED
- cUPC-CERTIFIED
- UPC-CERTIFIED
- EPA WaterSense-CERTIFIED
- VT S152



Lavatory Ensemble Model K338D_003

FEATURES

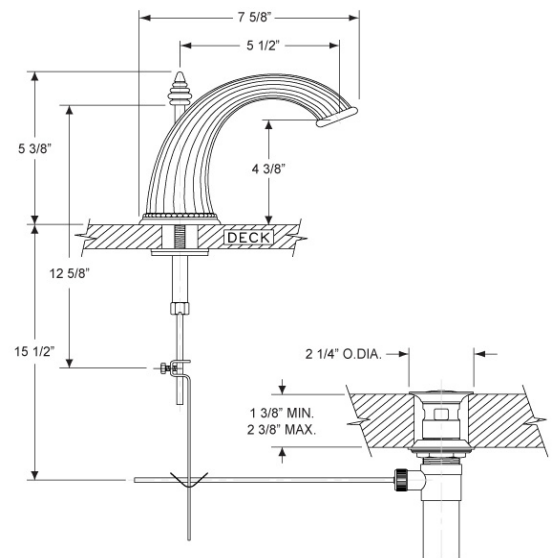
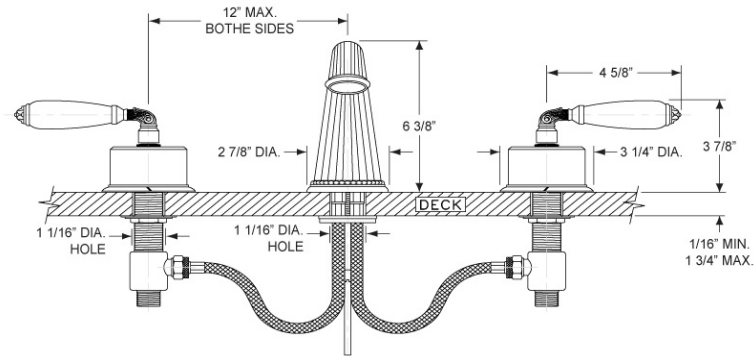
- Style: Baroque Treasures
- Collection: Valencia
- Temperature controlled by handles
- 1-1/16" (27mm) hole size for spout
- 1-1/16" (27mm) hole size for valves
- 12" (305mm) maximum centers
- Pop-up drain with lift rod and tailpiece
- 1.5 gpm @ 60 psi



COLOR FINISHES

- Polished Nickel (K338D_014)
- Satin Nickel (K338D_015)
- Pewter (K338D_15A)
- Polished Chrome (K338D_026)
- Polished Brass (K338D_003)
- Polished Brass Antiqued (K338D_007)
- Satin Brass (K338D_004)
- Polished Gold (K338D_025)
- Polished Gold Antiqued (K338D_25D)
- Satin Gold (K338D_024)
- Satin Gold Antiqued (K338D_24D)
- Satin Jeweler's Gold (K338D_24J)
- Old English Brass (K338D_OEB)
- Antique Brass (K338D_047)
- Antique Bronze (K338D_11B)

Image shown may not be in the finish selected



WARRANTY

- Limited Lifetime

COMPLIES WITH

- CA AB 1953-CERTIFIED
- ADA
- ANSI/NSF61-CERTIFIED
- A112.18.1-05/CSA B125.1-2005-CERTIFIED
- cUPC-CERTIFIED
- UPC-CERTIFIED
- EPA WaterSense-CERTIFIED
- VT S152



Lavatory Ensemble Model K338F_003

FEATURES

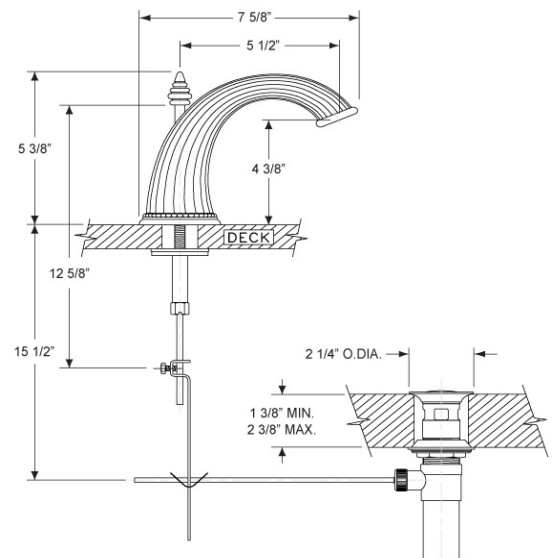
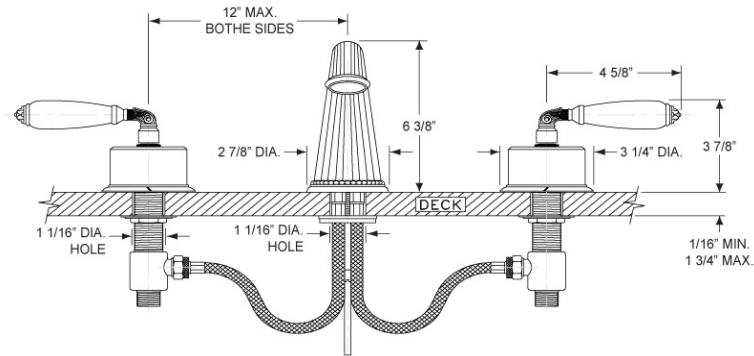
- Style: Baroque Treasures
- Collection: Valencia
- Temperature controlled by handles
- 1-1/16" (27mm) hole size for spout
- 1-1/16" (27mm) hole size for valves
- 12" (305mm) maximum centers
- Pop-up drain with lift rod and tailpiece
- 1.5 gpm @ 60 psi



COLOR FINISHES

- Polished Nickel (K338F_014)
- Satin Nickel (K338F_015)
- Pewter (K338F_15A)
- Polished Chrome (K338F_026)
- Polished Brass (K338F_003)
- Polished Brass Antiqued (K338F_007)
- Satin Brass (K338F_004)
- Polished Gold (K338F_025)
- Polished Gold Antiqued (K338F_25D)
- Satin Gold (K338F_024)
- Satin Gold Antiqued (K338F_24D)
- Satin Jeweler's Gold (K338F_24J)
- Old English Brass (K338F_OEB)
- Antique Brass (K338F_047)
- Antique Bronze (K338F_11B)

Image shown may not be in the finish selected



WARRANTY

- Limited Lifetime

COMPLIES WITH

- CA AB 1953-CERTIFIED
- ADA
- ANSI/NSF61-CERTIFIED
- A112.18.1-05/CSA B125.1-2005-CERTIFIED
- cUPC-CERTIFIED
- UPC-CERTIFIED
- EPA WaterSense-CERTIFIED
- VT S152

